



Deadfront Cable Junction Pedestal



200 Amp/3Phase Deadfront Cable Junction Pedestal

Product Features

- Extra heavy duty fiberglass construction. Combination of chopped glass spray-up and hand lay-up of woven roving glass reinforcement
- Smooth exterior finish with superior marine grade gel coat for maximum resistance against UV radiation and corrosion
- External ribs are molded into front and back for greater side-wall strength
- Fire retardant fiberglass
- Exterior hardware is 316 stainless steel
- 4" SS slip joint hinged cover is removable
- Adjustable parking stands for minimizing cable movement
- Designed for direct burial

PROGLASS, INC.

P.O. Box 581 - Wauna, WA 98395
www.proglassinc.com Email: sales@proglassinc.com
Phone: 253-884-4008 Fax: 253-884-5064

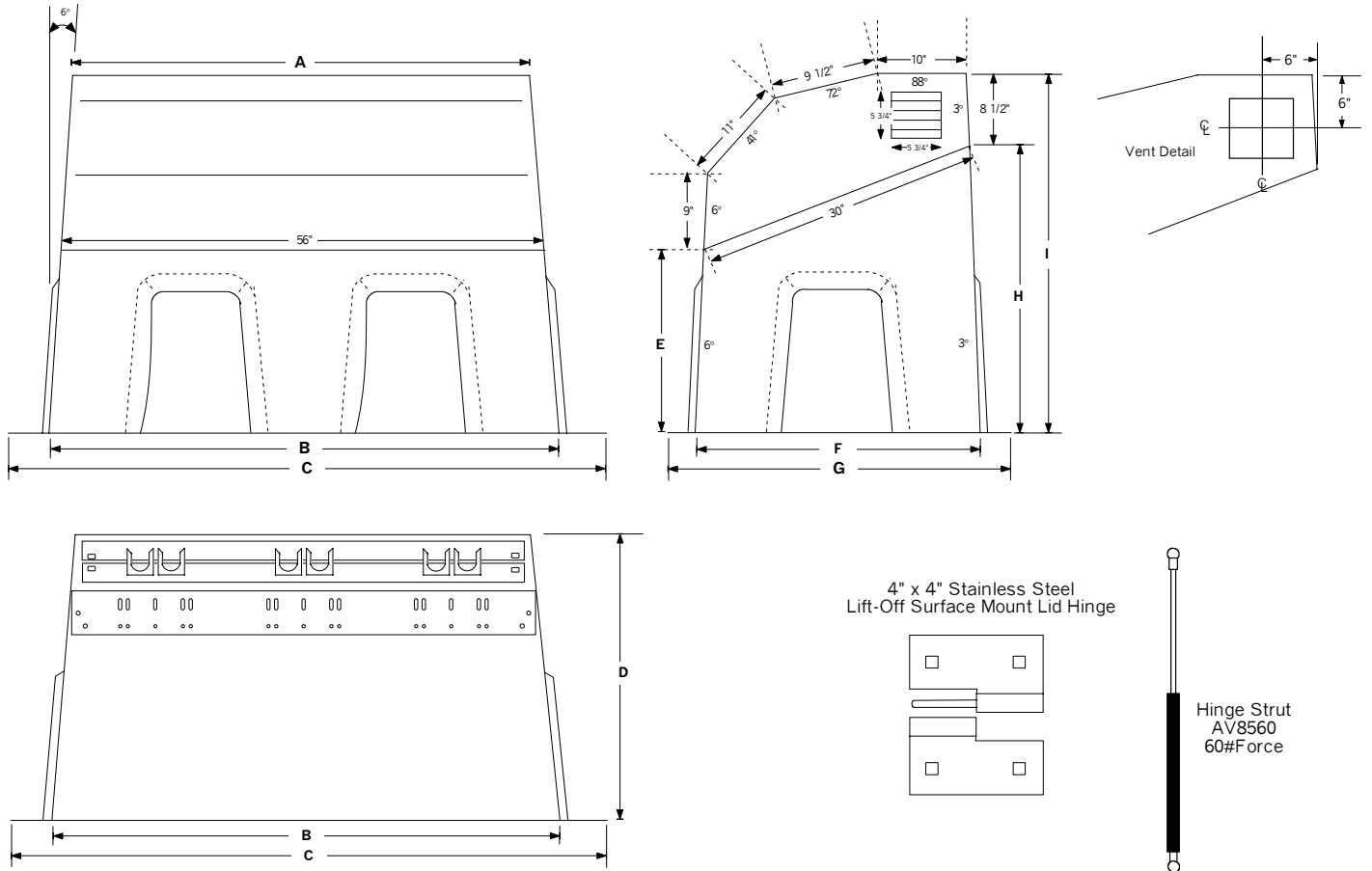
3/13/2009 8:57 AM

1.00



Deadfront Cable Junction Pedestal

SE30-41-L2-2415 and SE41-53-L2-2415



Stock ID	A	B	C	D	E	F	G	H	I
SE30-41-L2-2415	52"	59"	69"	32.5 "	21"	31"	41"	32.5 "	41"
SE41-53-L2-2415	53"	62"	73 "	44.5"	33"	34"	42"	44.5"	53"

PROGLASS, INC.

P.O. Box 581 - Wauna, WA 98395
 www.proglassinc.com Email: sales@proglassinc.com
 Phone: 253-884-4008 Fax: 253-884-5064

3/13/2009 8:57 AM

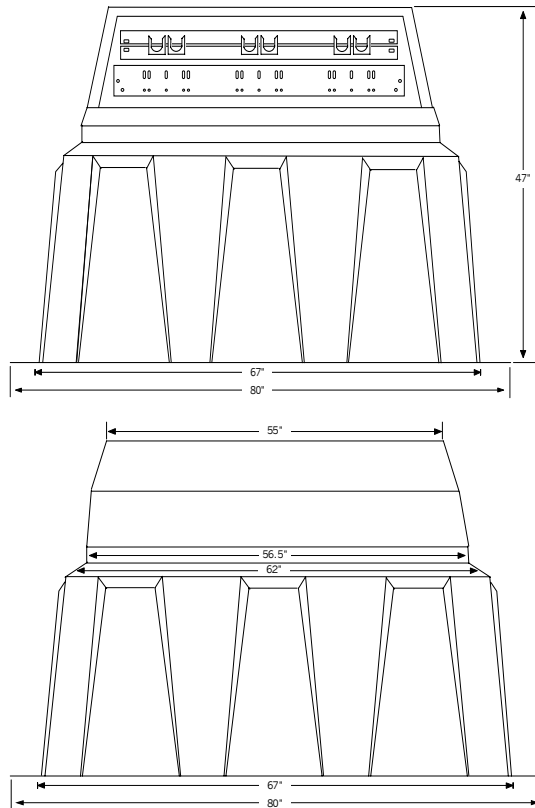
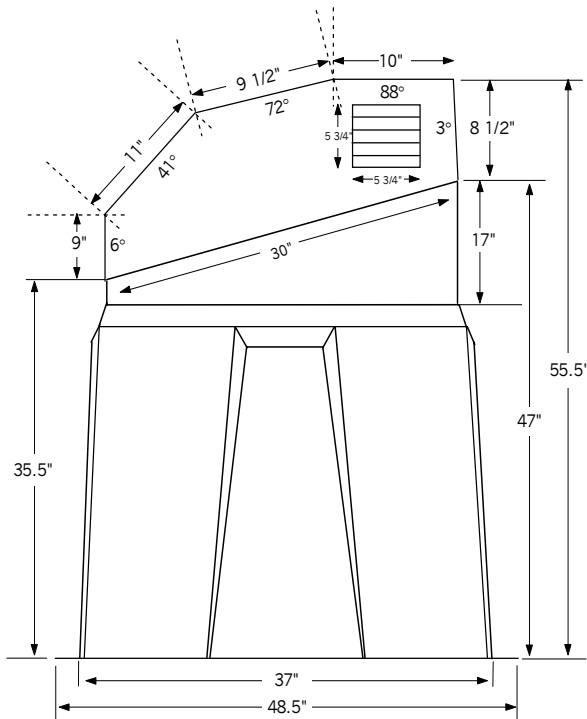


Deadfront Cable Junction Pedestal

SE48-55-L2-2415

Product Features:

- Heavy Duty Fiberglass Construction prevents conductivity of electrical currents.
- Combination of chopped glass spray up and hand lay-up of woven roving glass reinforcement.
- High Strength with the highest glass reinforcement content in the Industry
- Smooth exterior finish with marine grade gel coat for maximum resistance against UV radiation and corrosion
- External ribs are molded into front and back for greater side-wall strength
- Fire retardant fiberglass
- Corrosion resistant hardware
- 4" lip around perimeter base for stability
- Adjustable parking stands for minimizing cabinet movement
- Designed for direct burial



PROGLASS, INC.

P.O. Box 581 - Wauna, WA 98395
www.proglassinc.com Email: sales@proglassinc.com
Phone: 253-884-4008 Fax: 253-884-5064

3/13/2009 8:57 AM



Deadfront Cable Junction Pedestal



**Single Phase Deadfront Cable Junction
Pedestal
SE10-38-L2-2215**

Product Features

- Heavy duty fiberglass construction. Combination of chopped glass spray-up and hand lay-up of woven roving glass reinforcement.
- Smooth exterior finish with superior gel coat for maximum resistance against UV radiation and corrosion.
- External ribs are molded into front and back for greater side-wall strength
- Fire retardant fiberglass
- Exterior hardware is 316 stainless steel.
- Corrosion resistant hardware.
- Slip joint hinged cover is removable.
- 4" lip around perimeter base for stability.
- Adjustable parking stands for minimizing cable movement
- Designed for direct burial.
- Installed factory junctions can be provided.

PROGLASS, INC.

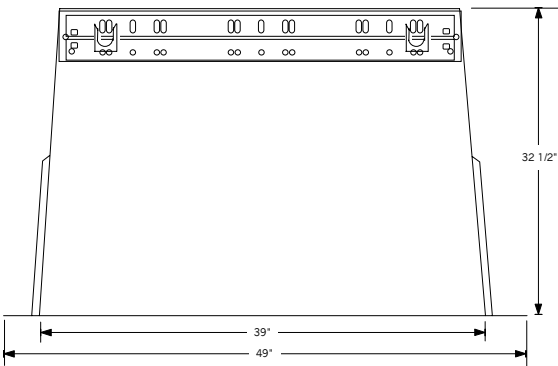
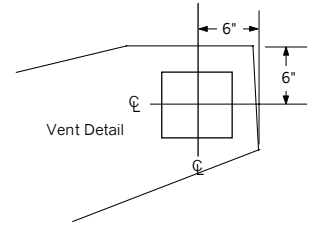
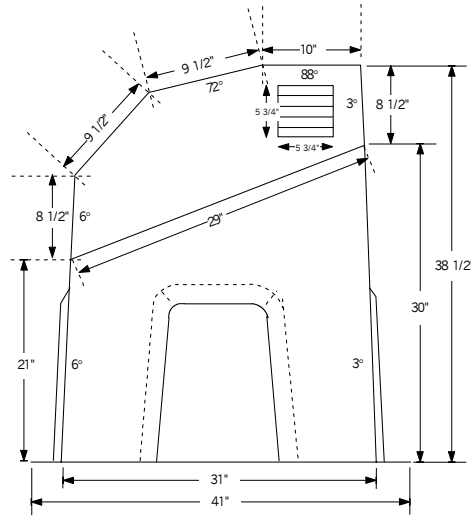
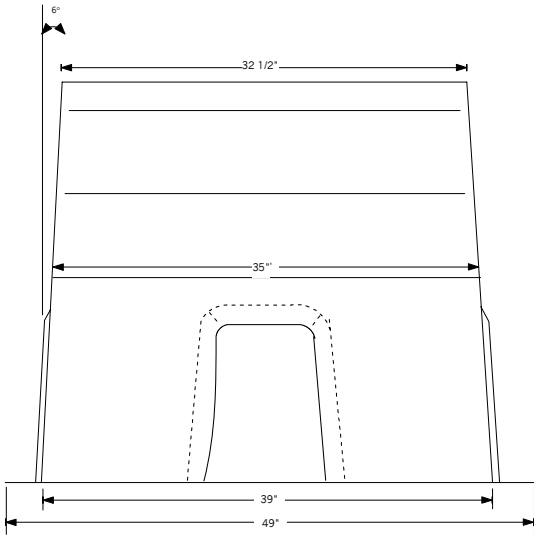
P.O. Box 581 - Wauna, WA 98395
www.proglassinc.com Email: sales@proglassinc.com
Phone: 253-884-4008 Fax: 253-884-5064

3/13/2009 8:57 AM

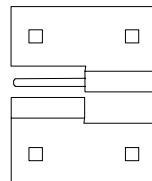


Deadfront Cable Junction Pedestal

SE10-38-L2-2215



4" x 4" Stainless Steel
Lift-Off Surface Mount Lid Hinge



Hinge Strut
AV8560
60#Force



PROGLASS, INC.

P.O. Box 581 - Wauna, WA 98395
www.proglassinc.com Email: sales@proglassinc.com
Phone: 253-884-4008 Fax: 253-884-5064