

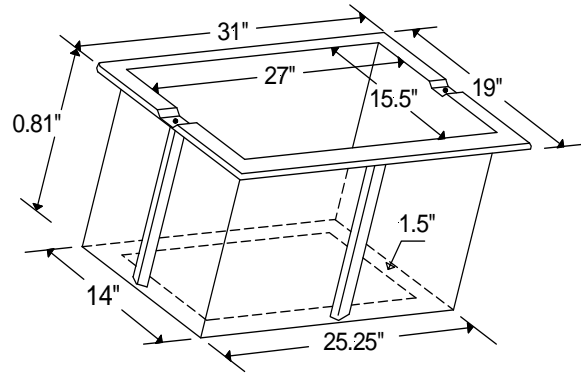


Secondary Groundsleeves

Features:

- **Non-Conductive**
- **Corrosion Resistant**
- **High Strength-to-Weight Ratio**
- **Non-Skid Finish Lid** that Overlaps Groundsleeve to Prevent Tampering
- Tapered for Nesting - **Reduces Storage Yard Requirements**
- **Reinforced Ribs** for Deflection Resistance
- Recessed Penta-head Bolts to **Secure Lid to Groundsleeve**
- Rated for **Incidental Traffic**
- Inverted Shape for **Easy Grade Changes**
- Multiple uses including Fiber Optic Splice Vaults

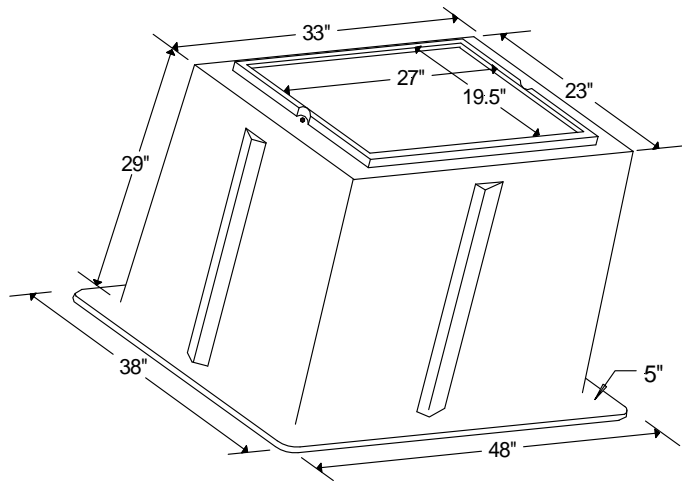
Available in two depths, 28" and 18"



SG311918
SG311928



Shown w/Optional Lid LSG3323



SG332329

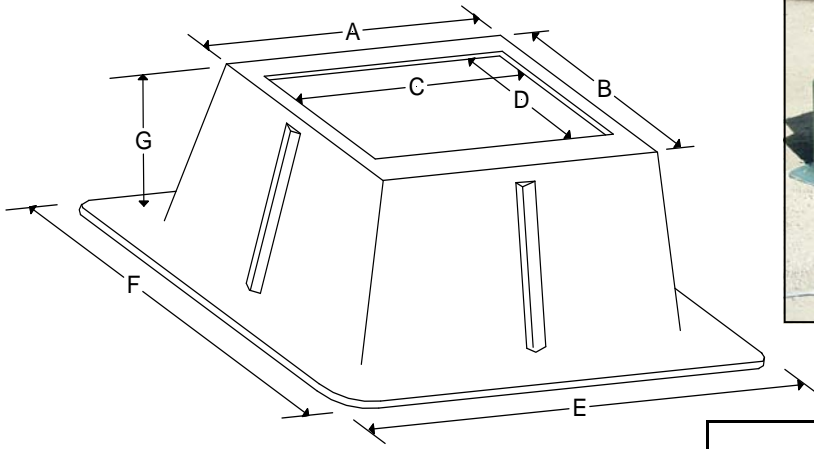
PROGLASS, INC.

P.O. Box 581 - Wauna, WA 98395
www.proglassinc.com Email: sales@proglassinc.com
Phone: 253-884-4008 Fax: 253-884-5064



Sectionalizing Cabinet Groundsleeve

Flat Top & S682330



S682330

Features:

- **Non-Conductive**
- **Corrosion Resistant**
- High Strength-to-Weight Ratio
- Base Lip around Perimeter for **Stability**
- Tapered for Nesting-
Reduces Storage Yard Requirements
- Reinforced Ribs for **Deflection Resistance**
- Multi-Purpose Design Allows for a **Variety of Applications**
- Custom Opening Sizes Available

Stock Id	Top		Opening		Base		Depth
	A	B	C	D	E	F	
S301918	30"	19"	26"	15"	45"	36"	18"
S321718	32"	17"	26"	11"	47"	33.5"	18"
S322624	32"	26"	26"	20"	46"	28.5"	24"
S322329	32"	23"	26"	16"	48"	38"	29"
S382430	38"	24"	32"	16.5"	51"	37"	30"
S464624	46"	46"	38"	38"	54"	54"	24"
S502624	50"	26"	44"	20"	63.5"	39.5"	24"
S641818	64"	18"	56"	12"	78"	32"	18"
S662624	66"	26"	60"	20"	75"	35"	24"
S682330	69"	24"	60"	18"	88"	42"	30"
S686032	68"	60"	61"	53"	80.75"	73.75"	32"
S692336	69"	23"	60.2"	16.25"	98"	44"	36"
S702624	70"	26"	60"	20"	87.5"	32.5"	24"
S732420	73.5"	24.5"	65.5"	15.5"	91"	42"	20.5"
S732730	73.5"	27"	60"	18"	94"	47"	30"
S762624	76"	26"	70"	20"	94"	44"	24"
S762636	76"	26"	70"	20"	98"	46.5"	36"
S852332	85"	23"	80"	18"	102"	38"	32"
S962730	96"	27"	84"	15"	105"	44"	30"

PROGLASS, INC.

P.O. Box 581 - Wauna, WA 98395

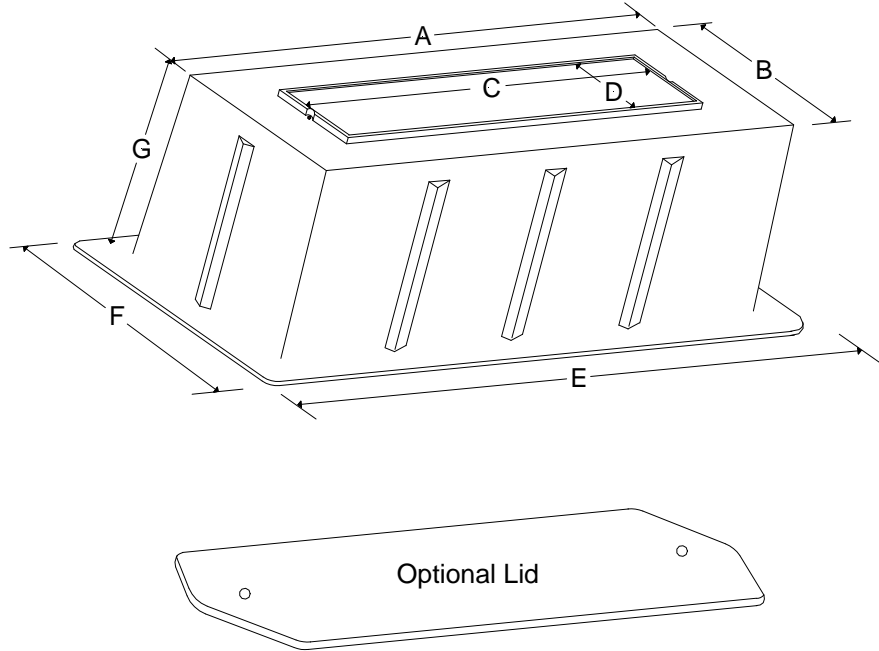
www.proglassinc.com Email: sales@proglassinc.com

Phone: 253-884-4008 Fax: 253-884-5064



Sectionalizing Cabinet Groundsleeve

Multi-Phase w/Optional Lid



Stock Id	Top		Opening		Base		Depth	Optional Lid
	A	B	C	D	E	F	G	
SR732420A	73.5"	24.5"	60"	14"	91"	42"	20.5"	LSR7324
SR732420B	73.5"	24.5"	60"	15"	91"	42"	20.5"	LSR7324
SR732420C	73.5"	24.5"	56"	14"	91"	42"	20.5"	LSR7324C
SR732630A	73.5"	26"	60"	14"	94"	47"	30"	LSR7327
SR732630B	73.5"	26"	56"	12"	94"	47"	30"	LSR7327
SR802420	80"	24.5"	72"	15"	98"	42"	20.5"	LSR8024

PROGLASS, INC.

P.O. Box 581 - Wauna, WA 98395
 www.proglassinc.com Email: sales@proglassinc.com
 Phone: 253-884-4008 Fax: 253-884-5064