



# Transformer Box Pads

Our Most Popular Products



Stackable boxes take up less storage yard space

## Transformer Box Pad Features:

- Designed to **directly support transformer** without a separate pad
- Tapered for nesting to **reduce storage yard requirements**
- **Large numbers** of box pads can be **easily transported**
- **Reinforced ribs** for **resistance to deflection** due to applied transformer weight
- 4-1/2" lip around perimeter at base for **secured installation** and **stability** of transformer and prevention of tipping and settling
- TX Series Box Pads offer two stainless steel recessed channel struts for **securing transformer**
- TX-TI Series Box Pads offer 3/8"-16 UNC threaded inserts and electroplated steel hold-down cleats and 1" penta head bolts used for **securing transformer** to pad
- Once installed the transformer **location cannot be compromised by other utilities**
- **RUS accepted**



TX-TI Series w/Optional Lids

## PROGLASS, INC.

P.O. Box 581 - Wauna, WA 98395  
www.proglassinc.com Email: sales@proglassinc.com  
Phone: 253-884-4008 Fax: 253-884-5064

6/23/2010 2:12 PM

2.00



# Transformer Box Pads

## TX Series w/Optional Lids

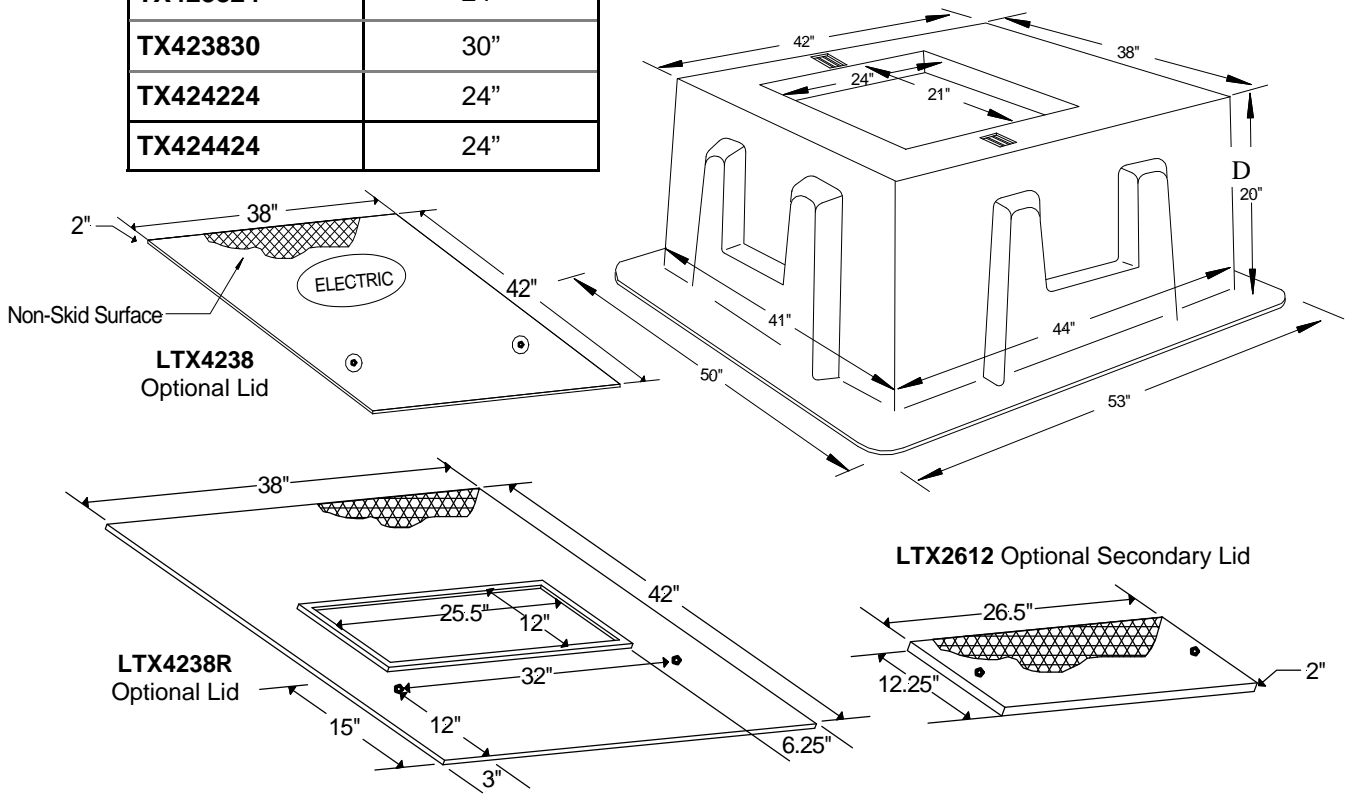


TX423820 With Optional Lid



TX423830

Stock Number	Depth "D"
TX423820	20"
TX423824	24"
TX423830	30"
TX424224	24"
TX424424	24"



(Recessed SS Unistrut Mounts)

NOTICE: This document (and all of the information, data and designs contained herein) is the property of Power Glass, Inc., dba PROGLASS, and is to be used only in reference to work proposed or contracted by PROGLASS. This confidential information must not be copied, duplicated, or used without the expressed permission or written consent of PROGLASS. These drawings must be returned immediately upon request. *Dimensions ( inches ) are measured at the intersection of projected adjacent planes.*

### PROGLASS, INC.

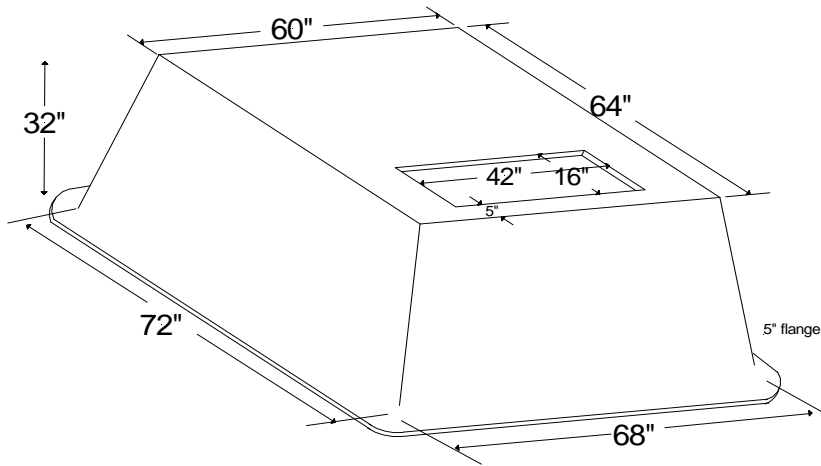
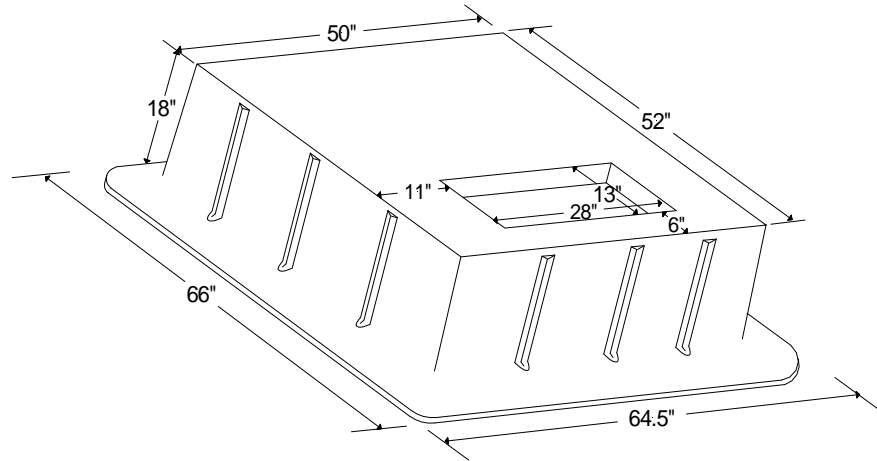
P.O. Box 581 - Wauna, WA 98395  
 www.proglassinc.com Email: sales@proglassinc.com  
 Phone: 253-884-4008 Fax: 253-884-5064



# Transformer Box Pads

TX505218 & TX646032

TX505218



TX646032

NOTICE: This document (and all of the information, data and designs contained herein) is the property of Power Glass, Inc., dba PROGLASS, and is to be used only in reference to work proposed or contracted by PROGLASS. This confidential information must not be copied, duplicated, or used without the expressed permission or written consent of PROGLASS. These drawings must be returned immediately upon request. *Dimensions ( inches ) are measured at the intersection of projected adjacent planes.*

## PROGLASS, INC.

P.O. Box 581 - Wauna, WA 98395

www.proglassinc.com Email: sales@proglassinc.com

Phone: 253-884-4008 Fax: 253-884-5064

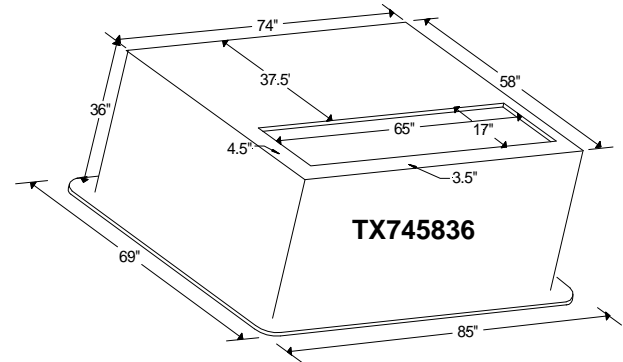
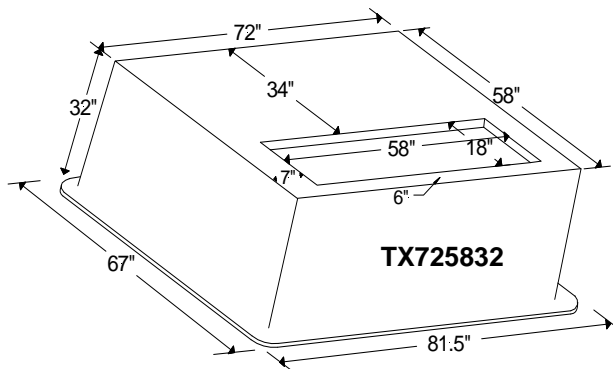
6/23/2010 2:12 PM

2.02



# Transformer Box Pads

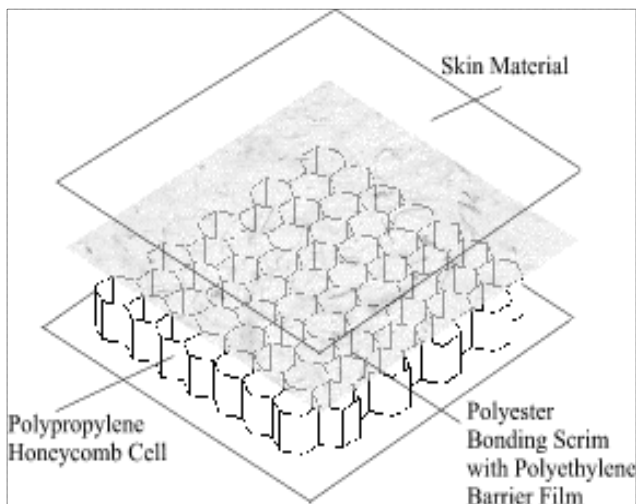
## 3-Phase TX Series



### Features:

- **Heavy-Duty Construction**
- **NIDA-CORE reinforcement** surrounded by 6 layers of fiberglass—produces **high strength with light weight**.
- **Highest Glass Content—30%!**
- Female mold used for **smooth exterior finish** with Marine Grade Gel Coat for the **finest U.V. resistance**.
- Interior fiberglass covered **foam structural beams**

**NIDA-CORE** is extruded polypropylene honeycomb used as a lightweight core. It features a non-woven polyester scrim thermo-fused to each of the core faces. This polyester scrim provides superior bonding properties and peel strength. NIDA-CORE provides high strength, exceptional resilience, material integrity, and is non degradable.



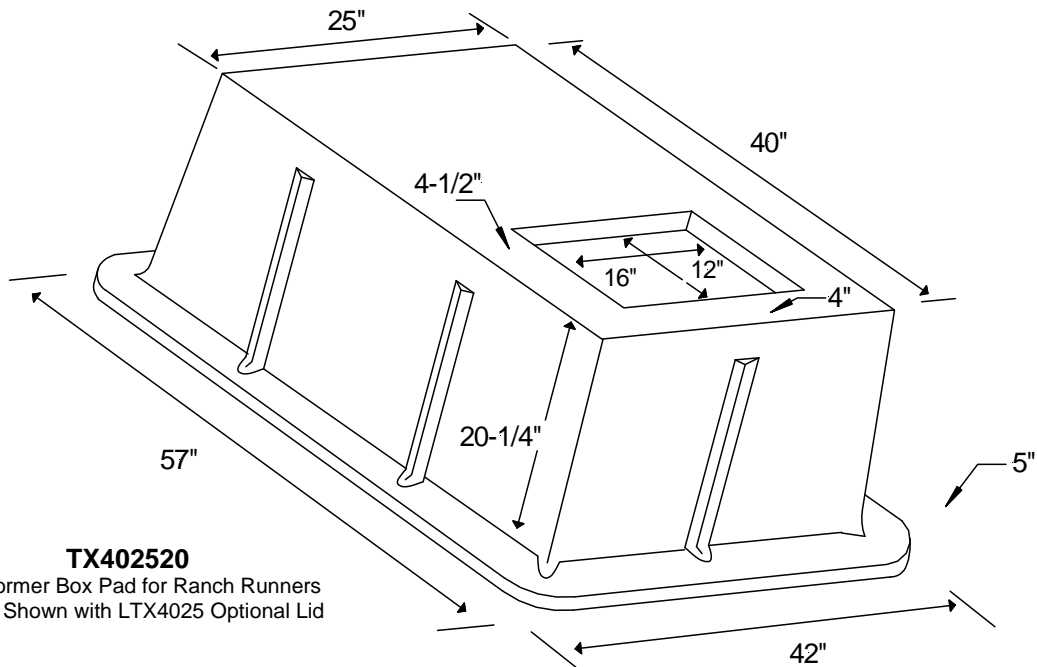
### PROGLASS, INC.

P.O. Box 581 - Wauna, WA 98395  
www.proglassinc.com Email: sales@proglassinc.com  
Phone: 253-884-4008 Fax: 253-884-5064



# Transformer Box Pads

## Ranch Runner



### PROGLASS, INC.

P.O. Box 581 - Wauna, WA 98395  
www.proglassinc.com Email: sales@proglassinc.com  
Phone: 253-884-4008 Fax: 253-884-5064

6/23/2010 2:12 PM

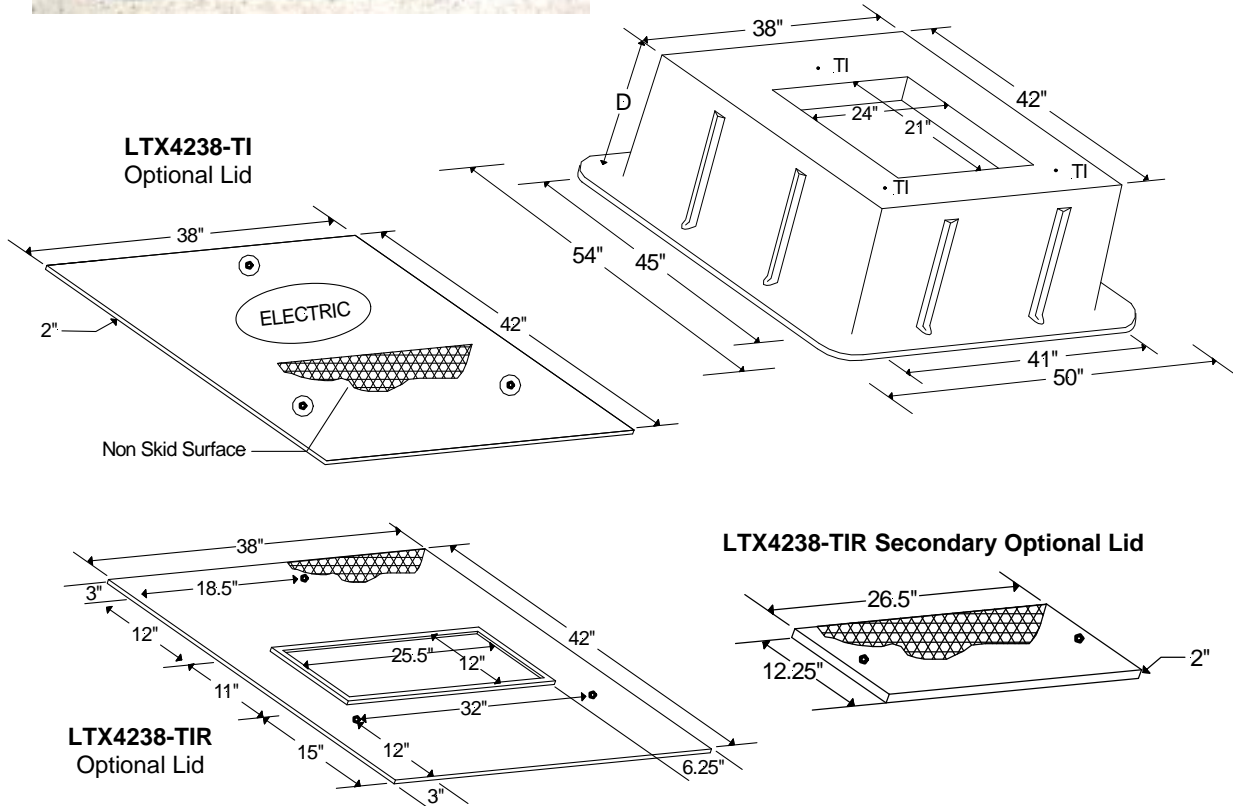


# Transformer Box Pads

TX-TI Series w/Optional Lids



Stock Number	Depth "D"	Opening
TX423815-CETI	15"	21"x12"
TX423815-TI	15"	24"x21"
TX423820-TI	20"	24"x21"
TX423824-TI	24"	24"x21"
TX423830-TI	30"	24"x21"
TX423836-TI	36"	24"x21"



TI's Come with SS 3/8-16 Threaded Inserts with Adjustable Hold Down Cleats

## PROGLASS, INC.

P.O. Box 581 - Wauna, WA 98395  
 www.proglassinc.com Email: sales@proglassinc.com  
 Phone: 253-884-4008 Fax: 253-884-5064

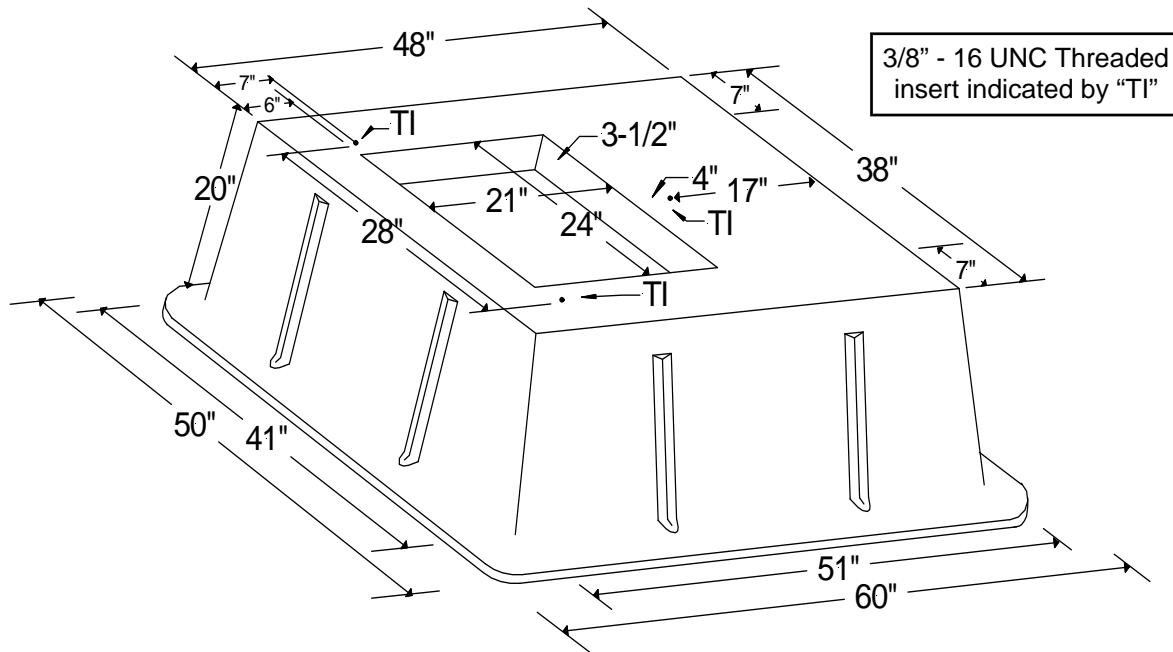


# Transformer Box Pads

TX-TI Series



TX483820-TI



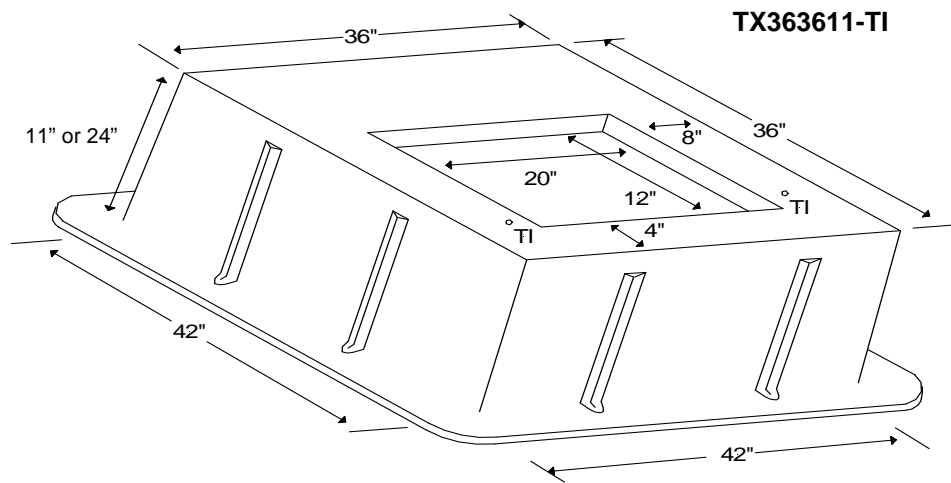
## PROGLASS, INC.

P.O. Box 581 - Wauna, WA 98395  
www.proglassinc.com Email: sales@proglassinc.com  
Phone: 253-884-4008 Fax: 253-884-5064



# Transformer Box Pads

TX363611-TI and TX363624-TI



3/8" - 16 UNC Threaded insert indicated by "TI"

TX363624-TI

## Features:

- Designed to **directly support transformer** without a separate pad
- Tapered for nesting to **reduce storage yard requirements**
- **Large numbers** of box pads can be **easily transported**
- **Reinforced ribs** for **resistance to deflection** due to applied transformer weight
- 4-1/2" lip around perimeter at base for **secured installation** and **stability** of transformer and prevention of tipping and settling
- TX-TI Series Box Pads offer three 3/8"-16" UNC threaded inserts and electroplated steel hold-down cleats and 1" pentahead bolts used for **securing transformer** to pad
- **RUS accepted**

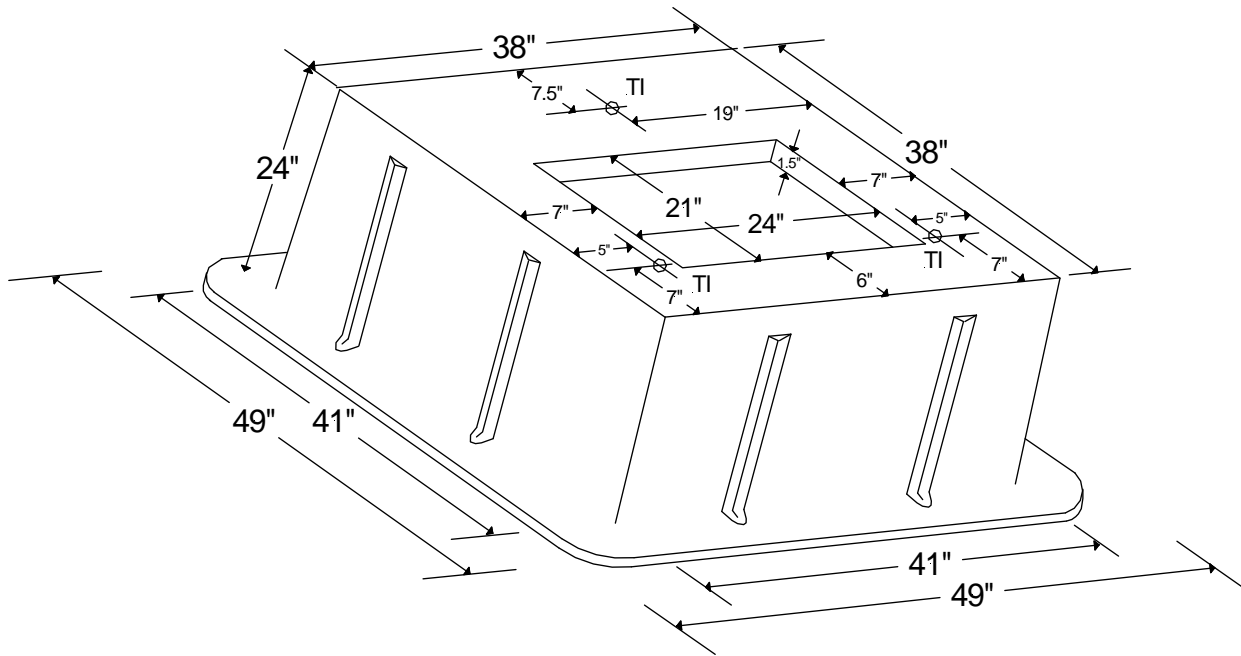
## PROGLASS, INC.

P.O. Box 581 - Wauna, WA 98395  
www.proglassinc.com Email: sales@proglassinc.com  
Phone: 253-884-4008 Fax: 253-884-5064

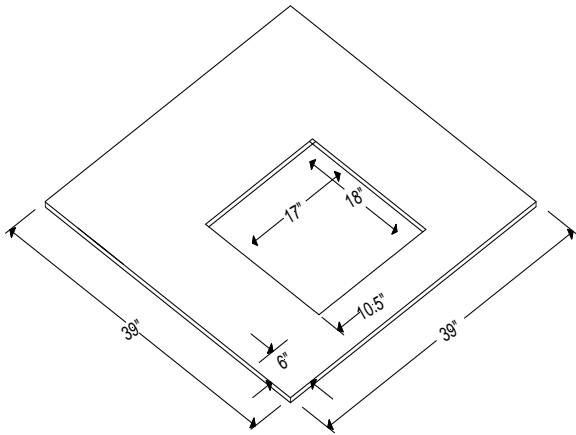


# Transformer Box Pads

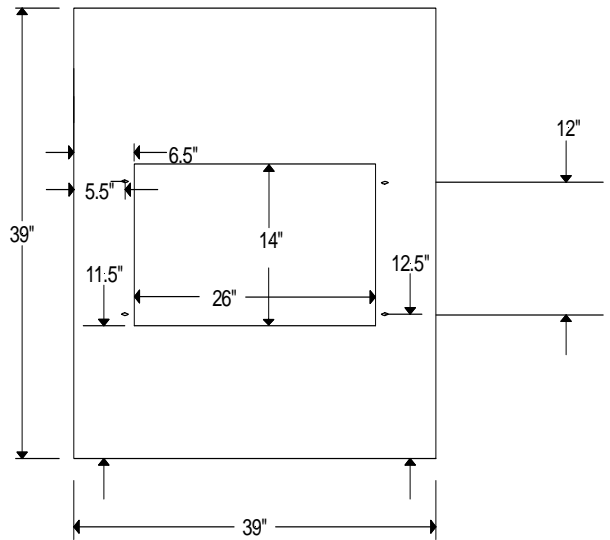
TX383824-TI



Optional Overlapping Lid w/17"x18" Opening for Ranch Runner



Optional Overlapping Lid w/14"x26" Opening for Single-Phase Sectionalizing Enclosure



## PROGLASS, INC.

P.O. Box 581 - Wauna, WA 98395

www.proglassinc.com Email: sales@proglassinc.com

Phone: 253-884-4008 Fax: 253-884-5064

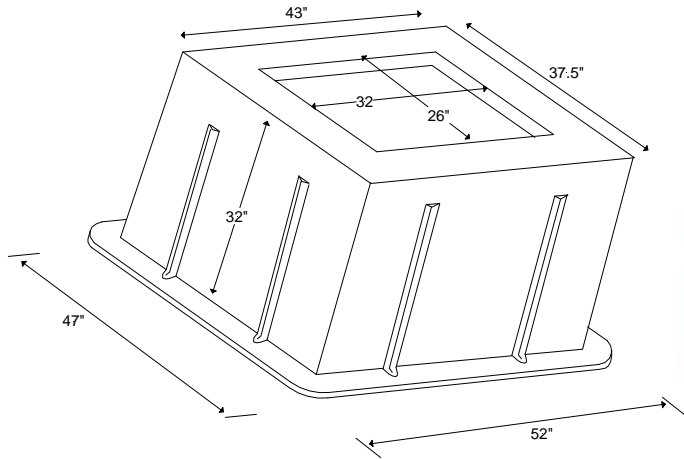
6/23/2010 2:12 PM



# Transformer Box Pads

TX433732-TI

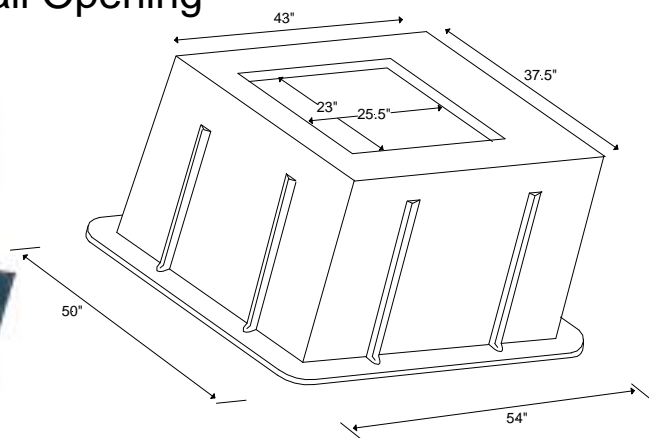
## Large Opening



### Features:

- Designed to **directly support transformer** without a separate pad
- Tapered for nesting to **reduce storage yard requirements**
- **Large numbers** of box pads can be **easily transported**
- **Reinforced ribs** for **resistance to deflection** due to applied transformer weight
- 4-1/2" lip around perimeter at base for **secured installation** and **stability** of transformer and prevention of tipping and settling
- TX-TI Series Box Pads offer three 3/8"-16" UNC threaded inserts and electroplated steel hold-down cleats and 1" pentahead bolts used for **securing transformer** to pad
- **RUS accepted**

## Small Opening



### PROGLASS, INC.

P.O. Box 581 - Wauna, WA 98395

www.proglassinc.com Email: sales@proglassinc.com

Phone: 253-884-4008 Fax: 253-884-5064

6/23/2010 2:12 PM

2.09