



Substation Trench Covers

ProGlass trench covers are lightweight and strong. They save time and money, especially from injury costs associated with lifting heavy and awkward covers made from concrete or steel.

ProGlass trench covers can handle any set of conditions, from sub-zero cold to desert sun heat. Our fiberglass trench covers will withstand heat up to 212 degrees Fahrenheit or cold to -70 Degrees Fahrenheit.

We make custom trench covers to fit virtually any configuration. Contact us with your new and replacement cover requirements.



Two styles of ProGlass trench covers:

1. **Pedestrian:** 200# per Square Foot; Normal Pedestrian Traffic and Field Cut-able
2. **H20 & HS20** Rated Road Crossing Cover



ProGlass trench covers are:

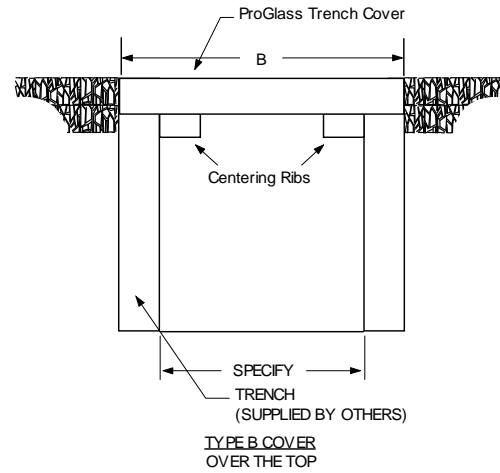
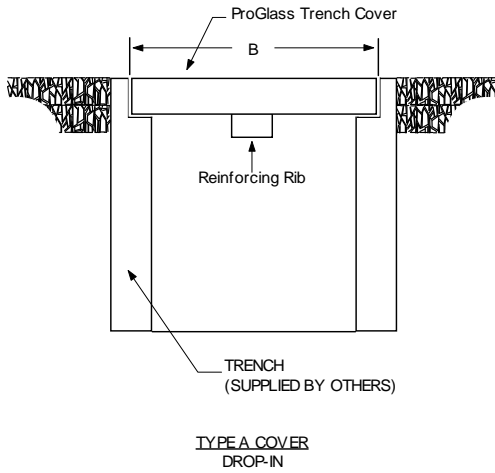
- **Lightweight:** All fiberglass composite covers are easy to install with minimal manpower requirements, and reduces on the job injuries associated with lifting
- **Lifting pins** on each cover provide easy access to trenches below
- **Safe: Non-conductive** - No need for grounding
- Super **non-skid surface**
- **U.V. resistant** and **non-corrosive**
- Able to handle **high and low temperature extremes**
- **Highly resistant to chemical or natural deterioration**
- **Marine grade gel coated fiberglass**
- **Extra long life**
- Also available with **flame retardant resin**

PROGLASS, INC.

P.O. Box 581 - Wauna, WA 98395
www.proglassinc.com Email: sales@proglassinc.com
Phone: 253-884-4008 Fax: 253-884-5064

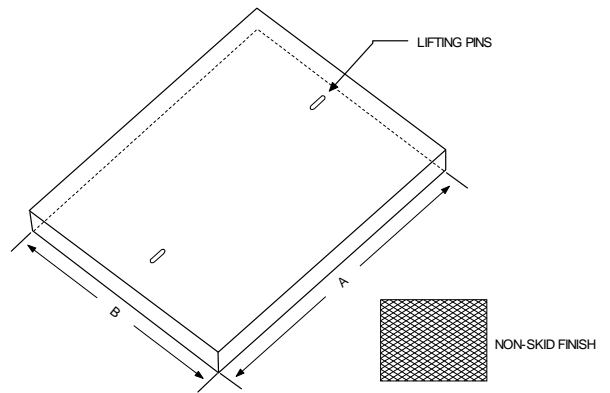


Trench Covers



SPECIFY TYPE A OR B COVERS

PART #	A	B	RATING	WEIGHT LBS
HT4831	48"	31"	H20 Rated	125
HT6026	60"	26"	H20 Rated	150
HT6027	60"	27"	H20 Rated	175
HT6031	60"	31"	H20 Rated	200
HT6037	60"	37"	H20 Rated	225
HT6047	60"	47"	H20 Rated	275
T3836	38 1/2"	36"	Pedestrian	45
T4848	48"	48"	Pedestrian	100
T5036	50 3/8"	35 7/8"	Pedestrian	85
T5136	51 3/8"	35 7/8"	Pedestrian	85
T5421	54"	21 1/2"	Pedestrian	45
T5427	54"	27 1/2"	Pedestrian	60
T5433	54"	33 1/4"	Pedestrian	65
T6015	60"	14.75"	Pedestrian	35
T6016	60"	15.75"	Pedestrian	40
T6020	60"	20"	Pedestrian	50
T6020.5	60"	20 1/2"	Pedestrian	50
T6024	60"	24"	Pedestrian	55
T6026	60"	26"	Pedestrian	60
T6026.5	60"	26 1/2"	Pedestrian	60
T6027	60"	26 5/8"	Pedestrian	60
T6030	60"	29 3/4"	Pedestrian	65
T6032	60"	32 1/2"	Pedestrian	70
T6035	60"	35"	Pedestrian	85
T6036	60"	35 3/4"	Pedestrian	85
T6039	60"	39 1/4"	Pedestrian	90
T6042	60"	41 1/2"	Pedestrian	95
T6046	60"	45 3/4"	Pedestrian	100
T6048	60"	47 1/2"	Pedestrian	85
T6051	60"	51 1/4"	Pedestrian	90
T6054	60"	54"	Pedestrian	125



TRENCH COVERS

THESE ARE EXAMPLES OF SOME OF OUR STANDARD SIZE COVERS. INQUIRE ABOUT ADDITIONAL SIZES AND CUSTOM COVERS

PROGLASS, INC.
 P.O. Box 581 - Wauna, WA 98395
www.proglassinc.com Email: sales@proglassinc.com
 Phone: 253-884-4008 Fax: 253-884-5064